



**Remote Care
Partners**

Pulse Oximeter

Model # ADF-B06



TABLE OF CONTENTS

INTRODUCTION	3
NOTES ON SAFETY	3
Handling batteries properly:	4
PRODUCT OVERVIEW.....	5
SYMBOLS.....	6
POWER-ON KEY/FUNCTIONAL KEY OPERATIONS	6
ALERT SOUND SETTINGS	7
BRIGHTNESS SETTING	8
POWER SAVING FUNCTION	8
ALERT RANGE SETTING	9
TAKING A MEASUREMENT	10
About the display.....	11
CLEANING	12
DISINFECTING	12
MAINTENANCE	13
TECHNICAL SPECIFICATION.....	14
STORAGE AND TRANSPORTATION	16
CONTACT INFORMATION AND NOTICES.....	17
FCC Compliance Statement	17

Model # ADF-B06
INSTRUCTION MANUAL

INTRODUCTION

This Pulse Oximeter is provided to you by Remote Care Partners (RCP), for use exclusively with the health monitoring program from your provider.

Please read this manual carefully and keep it handy for future reference.

NOTES ON SAFETY

Please read this section carefully before using the unit.

Do not attempt to open the electrical compartment of the Oximeter.

Periodically change the contact position between the Oximeter probe and the finger for a measurement that lasts a long time. Adjust the position of the probe before the measurement lasts two hours, and check the integrity of the skin, the blood circulation condition of the finger as well as the position of the finger.

Do not use on newborn babies.

Consult your provider if the result is outside the normal range. A normal %SpO₂ is 95% or greater. A normal PR is between 60-100.

Do not directly expose your eyes to light-emitting components of the Oximeter, as that could cause harm to your eyes.

For details about clinical limitations and contraindications, please carefully consult the relevant medical literature.

Warning: Do not use the Oximeter in an environment with any inflammable gases, inflammable anesthetic, or other inflammable substances.

Warning: Dispose of exhausted batteries in accordance with environment protection regulations.

Warning: Do not use the Oximeter in an MRI or CT environment.

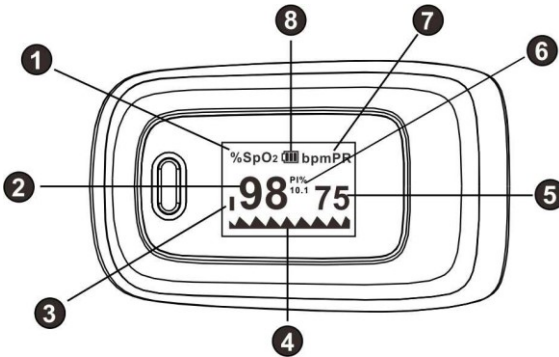
Warning: Do not operate the Oximeter when it is damp, wet, or has condensation. Avoid moving the Oximeter from an excessively cold environment to a high-temperature moist environment.

Handling batteries properly:

As soon as old batteries run out, replace them with new batteries.





- Do not use old and new batteries together.
- Align the polarities of batteries correctly.
- When the unit will not be used for more than 3 months, remove the batteries. Otherwise, batteries may leak and cause damage to the unit.

PRODUCT OVERVIEW



1. Symbol of oxygen saturation
2. Measured value of oxygen saturation
3. Bar graph
4. Plethysmogram
5. Measured value of Pulse rate
6. PI
7. Symbol of pulse rate
8. Battery power indication/Bluetooth symbol (alternately displayed)

SYMBOLS

Symbol	Description
	BF-type application part
	Caution: Please see this manual.
%SpO₂	Symbol of oxygen saturation
bpmR	Symbol of pulse rate
	Bluetooth symbol
	When end users abandon this product, they must send the product to the collection place for recycling.

POWER-ON KEY/FUNCTIONAL KEY OPERATIONS

After powering on the Oximeter, hold the power-on key/functional key for about one second. The Oximeter shows a parameter setting interface. Press or hold the power-on/functional key to perform corresponding operations. Hold it to set an item or press it to switch an option or switch the display mode. Press means no more than 0.5 seconds, while Hold means more than 0.5 seconds.

ALERT SOUND SETTINGS

Hold the power-on key/functional key while the Oximeter is in powered-on state.

Parameter setting interface 1 is displayed.

Move "*" to the corresponding option by pressing the function key. Hold the function key to set **Alm** to **on** and set **Beep** to **off**.

When **Alm** is set to **on** and the measured values of the blood oxygen saturation and pulse rate go beyond the upper limit or lower limit, the Oximeter gives off an alert sound.

When **Alm** is set to **off** and the measured values go beyond the limit, the Oximeter will not give any alert sound.

When **Beep** is set to **on**, a tick will be heard along with pulse beats during pulse rate measurement.

When **Beep** is set to **off**, no sound will be output along with pulse beats during pulse rate measurement.

While the "*" symbol stays on the **Restore** option, hold the function key to restore factory settings.

BRIGHTNESS SETTING

On parameter interface 1, press the functional key to select the **Brightness** option and then hold the functional key to set the brightness to a value ranging from 1 to 5. The greater the value, the greater the brightness of the screen.

POWER SAVING FUNCTION

The ADF-B06 has a power-saving feature. It can save power by reducing screen brightness automatically. If you leave your finger in the device for more than 150 seconds, the brightness will reduce to level 1. To make it return to the original brightness level, press the function key.

ALERT RANGE SETTING

On parameter interface 2, press the functional key to switch between options. On this interface, you can set the upper limit and lower limit of **SpO2 Alm** and **PR Alm**.

While the "*" symbol stays on the +/- option, hold the function key to set the option to + or -.

In + mode, select the corresponding option and hold the functional key to increment the upper or lower limit; in - mode, hold the functional key to decrement the upper or lower limit.

Move "*" to the **Exit** option and hold the function key to return to the monitoring interface.

V2.01.F	
Alm setup	*
Alm	on
Beep	off
Demo	off
Restore	ok
Brightness	4
Exit	

Interface 1

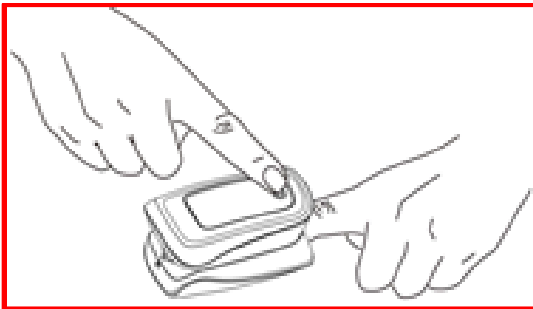
V2.01.F	
Sounds Setup	*
SpO2 Alm Hi	100
SpO2 Alm Lo	94
PR Alm Hi	130
PR Alm Lo	50
+/-	+
Exit	

Interface 2

Do not allow other people to use your pulse oximeter. The pulse oximeter is specifically assigned to you and you only. Allowing other people to use your pulse oximeter can mislead your provider.

TAKING A MEASUREMENT

1. Squeeze the closed end of the device to open the other end. Stick one finger completely into the rubber pad cavity of the Oximeter,
2. Keep the fingernail surface upward and release the closed end so the device fits snugly on your finger.
3. Press the power key to power on the Oximeter. If you do not completely insert your finger into the cavity, the measurement may be inaccurate.
4. The reading will automatically transfer to the RCP SmartHub and will then be sent to your provider.



Notes:

- Do not move your finger during measurement.
- Keep your body still during the measurement.
- After the readings become stable, read the measured values of oxygen saturation and the pulse rate on the screen.
- The Oximeter will automatically turn off 10 seconds after you remove your finger.

About the display

Continuously press the functional key in the monitoring process. The monitored data and the display mode will be cyclically displayed on the OLED screen in two different ways (large fonts and plethysmogram) and four directions, as shown in the following figure.



Replace the batteries when the battery capacity is insufficient and the symbol () flickers on the screen.

CLEANING

Power off the instrument and remove the batteries before cleaning. Ensure that the appearance of the instrument is neat, dust-free, and dirt-free. Clean the outer surface of the instrument (including the OLED screen) using 75% medical alcohol and a piece of dry soft cloth.

Caution: Avoid running the Oximeter underwater or submerging it in water or any other liquid during cleaning.

DISINFECTING

Before measurement with the instrument, wipe the rubber finger pad using a piece of dry soft cloth moistened with 75% medical alcohol. Clean the finger to be measured using medical alcohol for disinfection purposes before and after use.

MAINTENANCE

- Remove the batteries from the battery slot and properly store them if you do not plan to use the Oximeter for a long period of time.
- Store the Oximeter between 14 and 122°F (–10 to +50°C) and at humidity levels no greater than 93%.
- Periodically check the Oximeter for damage.
- Avoid using the Oximeter in an environment with inflammable gases or using it in an environment where the temperature or humidity is excessively high or low.
- Check the accuracy of the oxygen saturation and pulse rate readings by using an appropriate calibration apparatus.

TECHNICAL SPECIFICATION

Dimensions	
Width	62.0 mm
Depth	37.0 mm
Height	32.0 mm
Weight (including batteries)	42.5 g

Peak wavelength range of the light emitted from the probe	
Red Light	660 nm \pm 3
Infrared Light	905 nm \pm 5

Maximum optical output power of the probe	
Infrared Light	1.2 mW

Bluetooth module	
	4.0 (single mode)

Normal working condition	
Working Temperature	5°C to 40°C (41°F to 104°F)
Relative Humidity	15% to 80%, non-condensing
Atmospheric Pressure	70 kPa to 106 kPa
Rated Voltage	DC 3.0 V

Default values and conditions of alert	
<i>Parameter</i>	<i>Value</i>
Oxygen saturation	Upper limit: 100 Lower limit: 94
Pulse rate	Upper limit: 130 Lower limit: 50
Alert condition	When the alert switch is on and the actual measured value goes beyond the preset alert parameter range, the Oximeter gives an alert sound

Technical parameters		
<i>Parameter</i>		<i>Value</i>
Display range	O ₂ saturation	35% to 100%
	Pulse rate	25 bpm to 250 bpm
Resolution	Oxygen saturation	1%
	Pulse rate	1 bpm
Measurement precision	Oxygen saturation	±2% (70% to 100%) No requirement (≤ 69%)
	Pulse rate	±2 bpm
Alert range	Oxygen saturation	Upper limit: 50% to 100% Lower limit: 50% to 100%
	Pulse rate	Upper limit: 25 bpm to 250 bpm Lower limit: 25 bpm to 250 bpm
Alert error	Oxygen saturation	± 1% of the preset value
	Pulse rate	The greater of ±10% of the preset value and ±5 bpm
PI	Weak PI	Min. 0.2%

STORAGE AND TRANSPORTATION

Packaged products should be stored in well-ventilated rooms without corrosive gas and with an ambient temperature of -10 to $+50^{\circ}\text{C}$, a relative humidity lower than 93% (without condensation), and an atmospheric pressure of 50–106 kPa.

CONTACT INFORMATION AND NOTICES

Remote Care Partners

855-477-7000

www.remotecarepartners.com

AndseFit LTD

Unit 513 Lakeside 1,
No. 8 Science Park West Ave
Hong Kong Science Park
Hong Kong

FCC Compliance Statement

This device complies with part 15 of the FCC Rules. Operation is subject to the following two conditions:

1. This device may not cause harmful interference, and
2. This device must accept any interference received, including interference that may cause undesired operation.

FCC WARNING

This equipment has been tested and found to comply with the limits for a Class B digital device, pursuant to Part 15 of the FCC Rules. These limits are designed to provide reasonable protection against harmful interference in a residential installation.

This equipment generates, uses, and can radiate radio frequency energy and, if not installed and used in accordance with the instructions, may cause harmful interference to radio communications.

However, there is no guarantee that interference will not occur in a particular installation. If this equipment does cause harmful interference to radio or television reception, which can be determined by turning the equipment off and on, the user is encouraged to try to correct the interference by one or more of the following measures:

- Reorient or relocate the receiving antenna.
- Increase the separation between the equipment and the receiver.
- Connect the equipment into an outlet different from that to which the receiver is connected.
- Consult the dealer or an experienced radio/TV technician for help.